



# Bridgetech Innovations LLP



With Model  
Approval &  
Weights &  
Measures  
Approval

## BT SINGLE JET WATER METER Single Jet Dry Type

meter is a single-jet super dry water meter for residential application in sizes 15mm-25mm for cold potable water and meets the international standard ISO4064 Class B or Class C.

### Features

- Small, light
- Magnetic drive, lower transmission resistance
- Magnetic shield, for external magnetic field protection
- Evacuated and Sealed dry dial register ensures clear reading
- Inlet strainer
- Register can rotate more than 360° for easily reading in any position

### Standard Compliance

- Technical data conforms to ISO 4064 Class B, Class C, R80, R100, R125 and R160 standard for horizontal installation.

### Optional Features

- Several lengths and connections available on request
- Reed switch option
- Meter body: Brass and plastic for selecting.



9845218310 / 8050001961



[www.bridgetechinnovations.com](http://www.bridgetechinnovations.com)  
[www.apartmentmeters.com](http://www.apartmentmeters.com)



[sales@bridgetechinnovations.com](mailto:sales@bridgetechinnovations.com)



S-2, Hemavathi Shelters, SBM Road, Uttarahalli Road,  
KSRTC Layout, Bangalore - 560061

## Working Conditions

- Water temperature:  $\leq 50^{\circ}\text{C}$  for cold water meter
- Water temperature:  $\leq 90^{\circ}\text{C}$  for hot water meter
- Water pressure:  $\leq 1\text{MPa}$  or  $1.6\text{MPa}$  optional  
(10bar or 16bar optional)

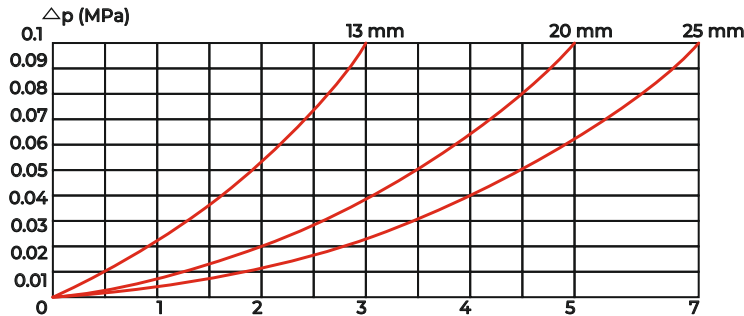
## Installation requirements

- The meter should be installed in horizontal position with the direction of the flow as indicated by the arrow cast in the meter body with the register face upwards.
- Pipeline must be flushed before installation.
- The meter should be constantly full of water during operation.

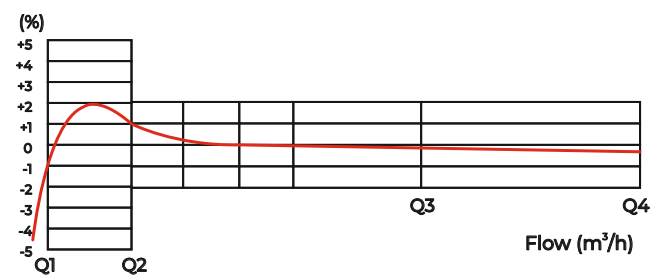
## Maximum Permissible Error

- In the lower zone from  $Q_{\min}(Q1)$  inclusive up to but excluding  $Q_t(Q2)$  is  $\pm 5\%$ .
- In the upper zone from  $Q_t(Q2)$  inclusive up to and including  $Q_{\max}(Q4)$  is  $\pm 2\%$  cold water meter .
- In the upper zone from  $Q_t(Q2)$  inclusive up to and including  $Q_{\max}(Q4)$  is  $\pm 3\%$  (hot water meter).

### Pressure Loss Curve



### Flow Error Curve



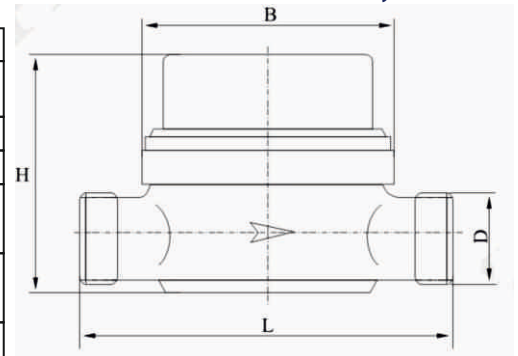
## Accessories

Each water meter has one set couplings optional: 2pcs tube, 2pcs nut and 2pcs gasket

### MAIN TECHNICAL DATA According to ISO4064 :2003

Meter size	Class	Qmax	Qn	Qt	Qmin	Min	Max
Dia		Maximum	Nominal	Transitional	Min	Reading	Reading
DN		Flow	Flow	Flow	Flow		
		m <sup>3</sup> /h		L/h		m <sup>3</sup>	
15	A	3	1.5	150	60	0.00005	99999
	B			120	30		
20	A	5	2.5	250	100	0.00005	99999
				B	200		
25	A	7	3.5	350	140	0.00005	99999
				B	280		

### Dimensions and Weight



Meter size	Length	Width	Height	Connecting Thread
Dia	L	W	H	
DN	mm			D
15	110	79.5	84	G 3 / 4B
20	130	79.5	84	G1" B
25	160	79.5	84	G1 1/2 B